



Plug in SARL  
5, rue du Corps Franc du Sidobre  
F-81210 ROQUECOURBE

Phone : +33 (0) 563 82 50 60  
Fax : +33 (0) 563 82 50 70  
E-Mail : [sales@plugin.fr](mailto:sales@plugin.fr)  
Internet : [www.plugin.fr](http://www.plugin.fr)



### ISO K DN 100 Flange

Equipped with :

- 4 x 14 kV high voltage connector
- 4 x 3.5 kV high voltage connector
- 1 x ERVAC 50 Male/Female Feed-through
- Measured leak rate :  $5 \cdot 10^{-10}$  mbar.l/s

### ISO K DN 250 Flange

Equipped with :

- 13 x 8W8 D-Sub 40 Amps power contact and their savers
- Measured leak rate :  $2 \cdot 10^{-10}$  mbar.l/s



### Custom Feed-through

Equipped with :

- 24 x ERVAC 25 M/F
- Measured leak rate :  $6 \cdot 10^{-9}$  mbar.l/s

### ERVAC Male / Female modules

Micro-D

- Sizes : 9, 15, 21, 25, 37, 51

D-Sub

- Sizes normal density : 9, 15, 25, 37, 50
- Sizes high density : 15, 26, 44, 62, 78
- Combo versions with High voltage, power and/or coax contacts





### CF 40 Flange

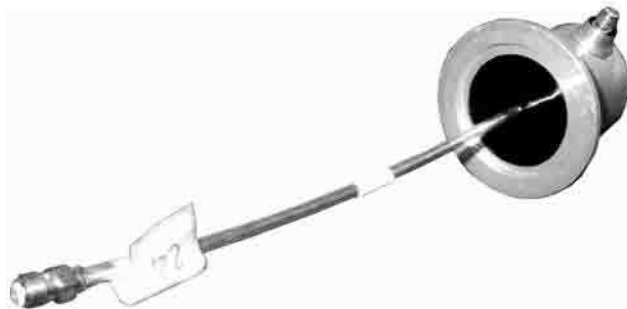
Equipped with :

- 4 x D-SuB 15 wired connector
- Measured leak rate :  $5 \cdot 10^{-10}$  mbar.l/s

### CF 63 Flange

Equipped with :

- 4 x D-SuB 3W3 wired coax connector
- 3 x wired thermocouple connector
- Measured leak rate :  $5 \cdot 10^{-9}$  mbar.l/s



### KF Flange

Equipped with :

- 18 GHz wired SMA
- Measured leak rate :  $1,8 \cdot 10^{-10}$  mbar.l/s

### Custom Flange

Equipped with :

- 4 x 14 kV High voltage connector
- 2 x BNC
- 4 x circular connector
- 2 x 16 contact HE10 connector
- Measured leak rate :  $4 \cdot 10^{-9}$  mbar.l/s



### Custom Flange

Equipped with :

- 12 wire
- Measured working pressure : 60 bars water and helium

### ISO K DN 100 Flange

Equipped with :

- 60 x thermocouple wire
- Types available : K and T.
- Other types upon request



### CF 40 Flange

Equipped with :

- 2 x D-SuB 50 wired connector
- Measured leak rate :  $2 \cdot 10^{-10}$  mbar.l/s



### KF 50 flange

Equipped with :

- 2 x 6 kV, 70 A conductor
- Measured leak rate :  $5 \cdot 10^{-11}$  mbar.l/s



### Custom Flange

- Filtered High power single conductor. Water and air cooled
- Measured leak rate :  $2 \cdot 10^{-10}$  mbar.l/s

### KF 40 Flange

- Optical Viewport
- Measured leak rate :  $2 \cdot 10^{-10}$  mbar.l/s

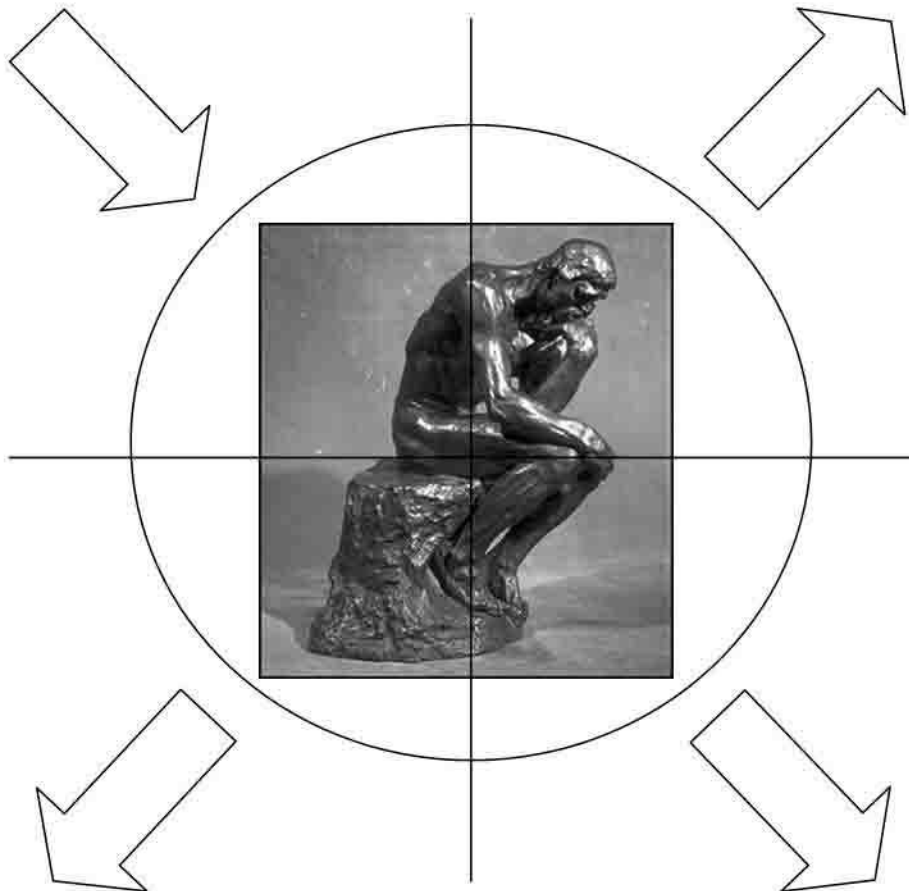




**Your Project**



**Custom Flange : 12 connectors**



**Wired connector  
Feed-through**



**80 kV wire Feed-through**







## Technical characteristics

Plug In hermetic products are manufactured by using SLP technology to reach a higher level of hermeticity

All Plug In products are manufactured according ER10 Temperature, outgassing and Hermeticity specification

Flange standards : ISO KF  
Flange sizes : DN10 to DN50

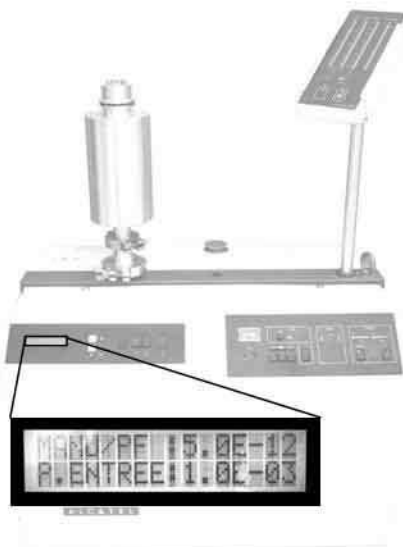
Flange material : Stainless steel or aluminium

Flange standards : ISO K  
Flange sizes : DN63 to DN500

Flange material : Stainless steel or aluminium

Flange standards : ISO F  
Flange sizes : DN63 to DN500  
Flange material : Stainless steel or aluminium

Flange standards : CF  
Flange sizes : DN16 to DN250  
Flange material : Stainless steel



## Products

High power Feed-through  
High voltage Feed-through  
Signal, High voltage and Power connector Feed-through  
Coaxial Feed-through, BNC, TNC, SMA  
Triax Feed-through  
Thermocouple—Wire Feed-through  
Thermocouple connector Feed-through  
Fiber optic Feed-through  
Viewports

ISO KF, ISO K, ISO F and CF Flange components and accessories

All our products are twice 100% helium tested and delivered with an appropriate certificate

Leak rate :  $\leq 10^{-8}$  m.bar l/s / Suggested vacuum level : up to  $10^{-9}$  m.bar

Working pressure : up to 60 bars

Flange temperature rating : -50°C / +180°C

Other designs and materials upon request

Plug in SARL  
5, rue du Corps Franc du Sidobre  
F-81210 ROQUECOURBE

Phone : +33 (0) 563 82 50 60  
Fax : +33 (0) 563 82 50 70  
E-Mail : sales@plugin.fr  
Internet : www.plugin.fr